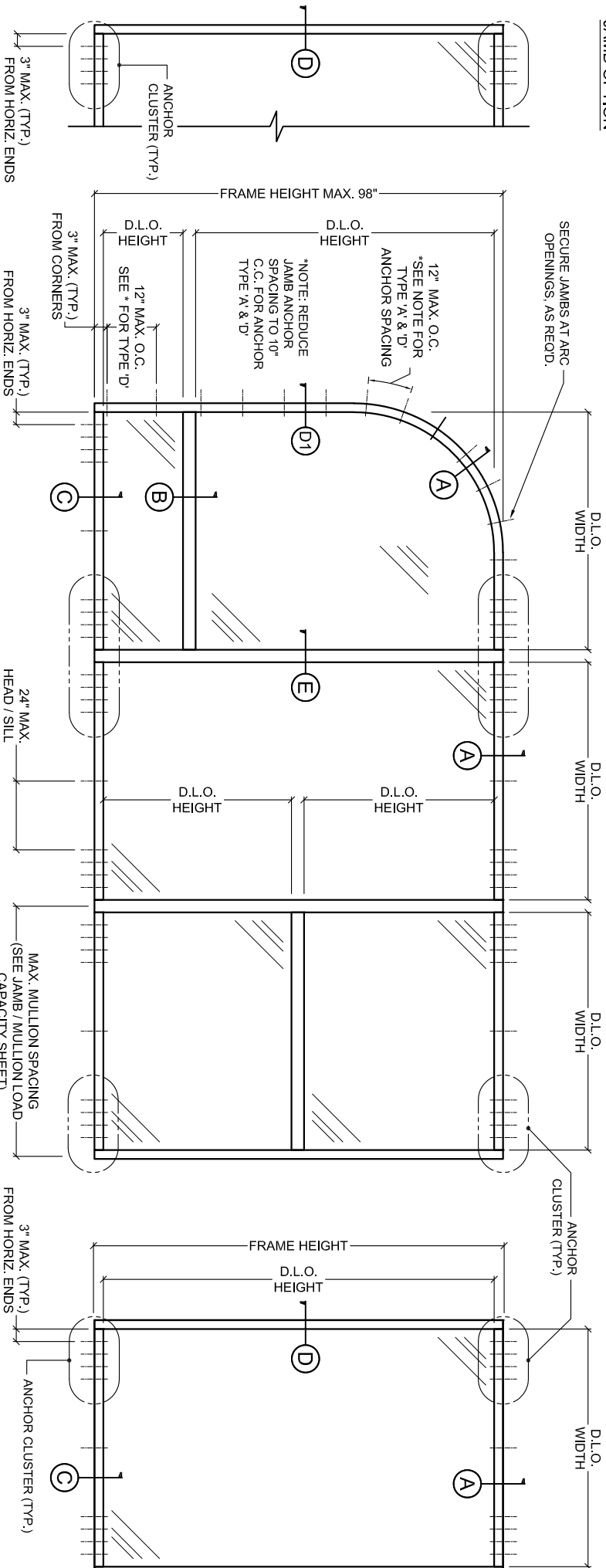


NON-ANCHORED JAMB OPTION



TYPICAL ELEVATION

TYPICAL ELEVATION

THIS SYSTEM HEREIN, USING LAMINATED (MONO) AND INSULATED LAMINATED (IGU) GLASS, IS RATED FOR LARGE AND SMALL MISSILE IMPACT. (L.M.I./S.M.I.). SHUTTERS ARE NOT REQUIRED. DESIGN PRESSURE RATING: ±100.0 PSF.

GENERAL NOTES:

1. INDEFINITE NUMBER OF PANELS AT INFINITE FENESTRATION LENGTH.
2. MAXIMUM PANEL SIZE: 60" WIDTH X 120" HEIGHT = 50 SQ. FT.
3. MAXIMUM DAYLIGHT OPENING, (D.L.O.): SEE SHEET 3 OF 8.
4. SEE INSTALLATION INSTRUCTION NOTES FOR REQUIRED SEALANTS.

GENERAL NOTES:

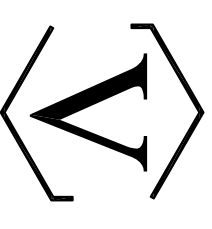
1. THIS PRODUCT HAS BEEN DESIGNED, TESTED AND MANUFACTURED TO COMPLY WITH THE REQUIREMENTS OF THE 2020 (7TH EDITION) & 2023 (8TH EDITION) FLORIDA BUILDING CODE, INCLUDING HIGH VELOCITY HURRICANE ZONE (HVHZ) SPECIFICATIONS.
2. ALL SHIMS, LOCATED AND APPLIED, SHALL BE HIGH-IMPACT, NON-METALLIC, NON-COMPRESSIBLE AND MADE OF MATERIALS AND THICKNESS CAPABLE OF WITHSTANDING APPLICABLE LOADS.
3. 1BY WOOD BUCK OVER CONCRETE OR MASONRY IS OPTIONAL.
4. 1BY OR 2BY WOOD BUCKS, WOOD FRAMING AND MASONRY OPENINGS, BY OTHERS, MUST BE DESIGNED AND PROPERLY INSTALLED TO ADEQUATELY TRANSFER APPLIED PRODUCT LOADS TO THE BUILDING STRUCTURE, AND IS THE RESPONSIBILITY OF THE ARCHITECT OR ENGINEER OF RECORD.
5. WOOD BUCKS SHALL EXTEND BEYOND INTERIOR FACE OF THIS PRODUCT TO PROVIDE FULL FRAME SUPPORT.
6. WHERE 1BY WOOD BUCK IS USED, SEPARATE DISSIMILAR MATERIALS WITH APPROVED COATING OR MEMBRANE: SELECTION OF COATING OR MEMBRANE IS THE RESPONSIBILITY OF THE ARCHITECT OR ENGINEER OF RECORD.
7. WHERE SHIM OR WOOD BUCK THICKNESS IS LESS THAN 1-1/2", PRODUCT UNITS MUST BE INSTALLED IN ACCORDANCE WITH MANUFACTURER'S PUBLISHED INSTALLATION INSTRUCTIONS, AND SECURELY ANCHORED THROUGH THE WOOD BUCK AND INTO THE BUILDING STRUCTURE.
8. WHERE WOOD BUCK THICKNESS IS EQUAL TO AND GREATER THAN 1-1/2", PRODUCT UNITS MUST BE INSTALLED IN ACCORDANCE WITH MANUFACTURER'S PUBLISHED INSTALLATION INSTRUCTIONS, AND SECURELY ANCHORED THROUGH THE SECURED WOOD BUCK AND INTO THE BUILDING STRUCTURAL SUBSTRATE OR TO THE WOOD BUCK WITH ANCHOR REQUIREMENTS SPECIFIED HEREIN.
9. DESIGN PRESSURE CAPACITIES REFERENCED HEREIN MEET/ EXCEED THE REQUIREMENTS OF ASTM E1300-04.
10. AN APPROVED IMPACT PROTECTIVE SYSTEM IS NOT REQUIRED FOR THIS PRODUCT.
11. ALL ANCHORS AND FASTENERS SHALL BE CORROSION-RESISTANT, SPACED AS SHOWN ON DETAILS AND INSTALLED PER MANUFACTURER'S INSTRUCTIONS; SPECIFIED EMBEDMENT TO BASE MATERIAL SHALL BE BEYOND STUCCO OR WALL FINISHES.
12. FOR ANCHORING INTO 2BY BUCK OR WOOD STRUCTURES USE 5/16" DEWALT ULTRACON, OR EQUIVALENT, WITH SUFFICIENT LENGTH TO ACHIEVE A 1-1/2" MINIMUM EMBEDMENT INTO THE BUILDING SUBSTRATE. LOCATE ANCHORS AS SHOWN ON ELEVATIONS AND INSTALLATION DETAILS.
13. FOR ANCHORING INTO CONCRETE OR MASONRY STRUCTURES USE 1/4" DEWALT ULTRACONS, OR EQUIVALENT, WITH SUFFICIENT LENGTH TO ACHIEVE A 1-3/4" MINIMUM EMBEDMENT INTO THE BUILDING SUBSTRATE WITH 2-1/2" MINIMUM EDGE DISTANCE. LOCATE ANCHORS AS SHOWN ON ELEVATIONS AND INSTALLATION DETAILS.
14. FOR ANCHORING INTO METAL STRUCTURES USE #14 SMS, SELF-DRILLING SCREWS, OR EQUIVALENT, WITH SUFFICIENT LENGTH TO ACHIEVE FULL PENETRATION AND THREE (3) THREADS MINIMUM BEYOND THE INTERIOR METAL STRUCTURE. LOCATE ANCHORS AS SHOWN ON ELEVATIONS AND INSTALLATION DETAILS.
15. DISSIMILAR MATERIALS, INCLUDING BUT NOT LIMITED TO METAL SCREWS, THAT COME INTO CONTACT SHALL BE PAINTED OR PLATED PER REQUIREMENTS OF THE FLORIDA BUILDING CODE AND ADOPTED STANDARDS.
16. INSTALLATION ANCHORS SHALL BE INSTALLED IN ACCORDANCE WITH ANCHOR MANUFACTURER'S INSTALLATION INSTRUCTIONS AND ANCHORS SHALL NOT BE USED IN SUBSTRATES WITH STRENGTHS LESS THAN THE MINIMUM STRENGTH SPECIFIED BELOW:
 - A. WOOD: MINIMUM SPECIFIC GRAVITY OF G=0.55.
 - B. CONCRETE: MINIMUM COMPRESSIVE STRENGTH OF 3,000 PSI.
 - C. METAL STRUCTURE(S): ALUMINUM: 1/8" MINIMUM THICKNESS, F_y=33 KSI MINIMUM; STEEL: 1/8" MINIMUM THICKNESS, F_y=33 KSI MINIMUM.
 - D. MASONRY: HOLLOW/FILLED BLOCK PER ASTM C90, F_m = 2,500 PSI MINIMUM.

19. THIS PRODUCT APPROVAL IS GENERIC AND DOES NOT PROVIDE INFORMATION FOR A SITE-SPECIFIC PROJECT, I.E., LIFE-SAFETY OF THIS PRODUCT, ADEQUACY OF STRUCTURE RECEIVING THIS PRODUCT AND WEATHER-SEALING FOR WATER INFILTRATION RESISTANCE, ETC.
20. REFER TO INSTALLATION MANUAL FOR REQUIRED SEALANTS. SEALANTS SHALL BE INSTALLED PER SEALANT MANUFACTURER SPECIFICATIONS.
21. CONDITIONS NOT REPRESENTED IN THESE DRAWINGS SHALL BE ANALYZED SEPARATELY AND REVIEWED BY THE BUILDING OFFICIAL.
22. DESIGN LOADS, IN THIS PRODUCT APPROVAL, ARE NOMINAL PRESSURES; ULTIMATE PRESSURES PROVIDED SHALL BE MULTIPLIED BY A FACTOR OF 0.6 TO DETERMINE (ASD) PRESSURES.

INSTRUCTIONS:

(USE CHARTS AS FOLLOWS.)

- STEP 1 : DETERMINE DESIGN WIND LOAD REQUIREMENT BASED ON WIND VELOCITY, BUILDING HEIGHT, WIND ZONE USING APPLICABLE "ASCE 7" STANDARDS OR UTILIZE DP REQUIREMENTS AS SPECIFIED BY DESIGN PROFESSIONAL OF RECORD (EOR/ AOR)
- STEP 2 : SEE CHART 'GL1' FOR DESIGN LOAD CAPACITY OF DESIRED GLASS SIZE.
- STEP 3 : SEE CHART 'JML1' (JAMBS & MULLIONS) FOR LOAD CAPACITY.
- STEP 4 : USING CHART 'AL1' (ANCHOR LOAD) AND APPLICABLE ANCHOR CONDITIONS, SELECT ANCHOR OPTION WITH DESIGN RATING GREATER THAN THE DESIGN LOAD SPECIFIED IN STEP 1, ABOVE.
- STEP 5 : THE LOWEST VALUE RESULTING FROM STEPS 2 AND 3 SHALL APPLY TO THE ENTIRE SYSTEM.

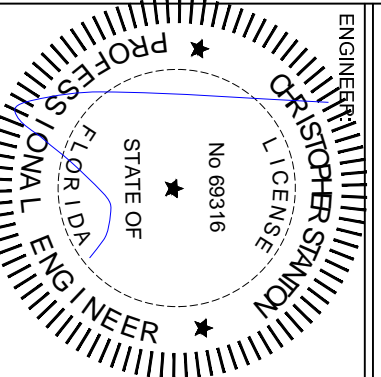


VELOCITY
IMPACT PRODUCTS
VELOCITY IMPACT PRODUCTS
2200 AVENUE L, WEST PALM BEACH, FLORIDA, 33404
TEL: (561) 428-5740 NET: www.VelocityImpactProducts.com

PRODUCT:
SERIES WWS 5000
WINDOW WALL
STOREFRONT SYSTEM
PRODUCT APPROVAL
FBC (2020): FL# [T.B.D.]

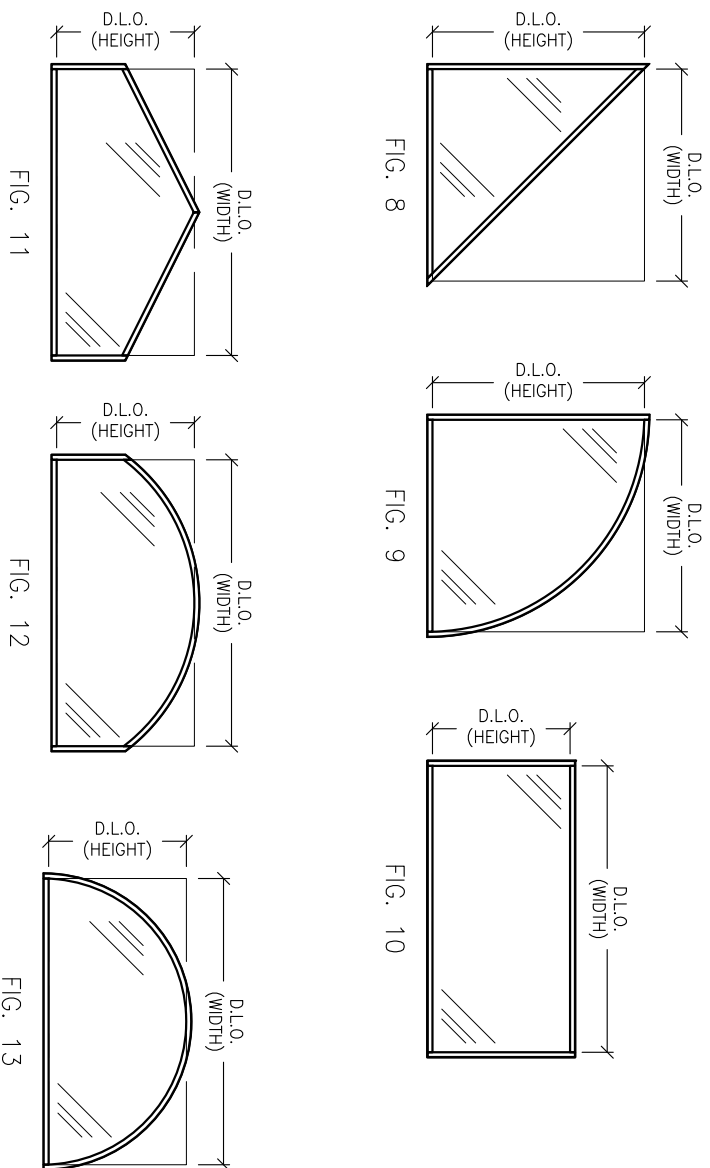
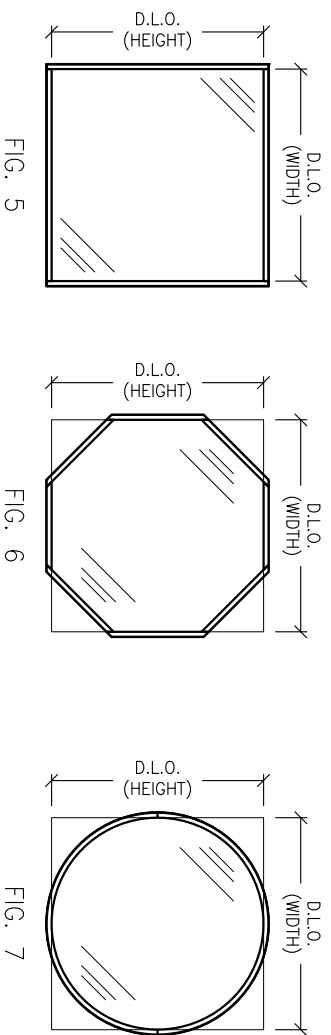
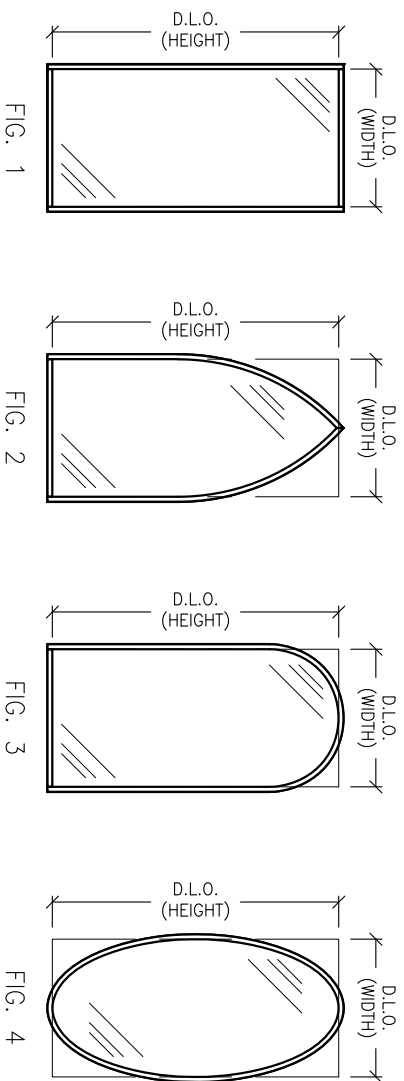
REV.	DATE / REMARKS

ENGINEER:
STANTON ENGINEERING, INC.
STRUCTURAL ENGINEERING SERVICES
2701 NW BOCA RATON BLVD. SUITE 204
BOCA RATON, FL 33431 TEL: (561)
393-1003 FAX: (561) 393-1008



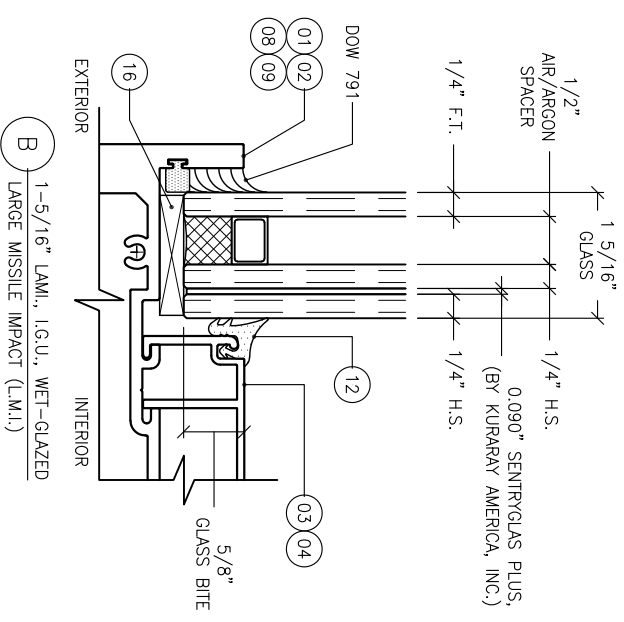
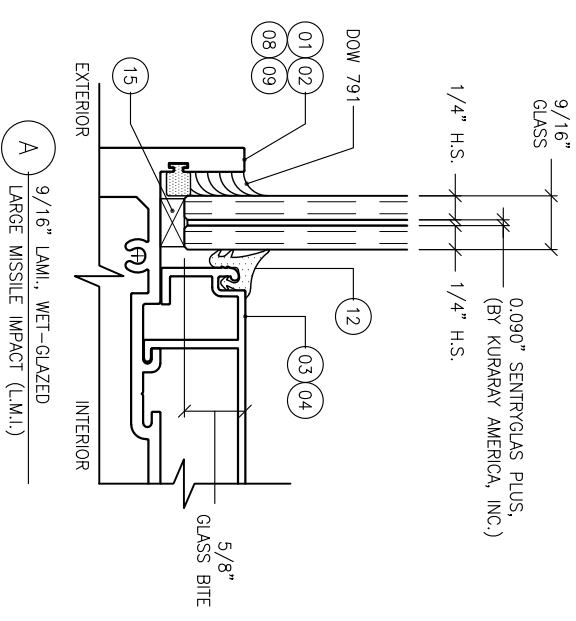
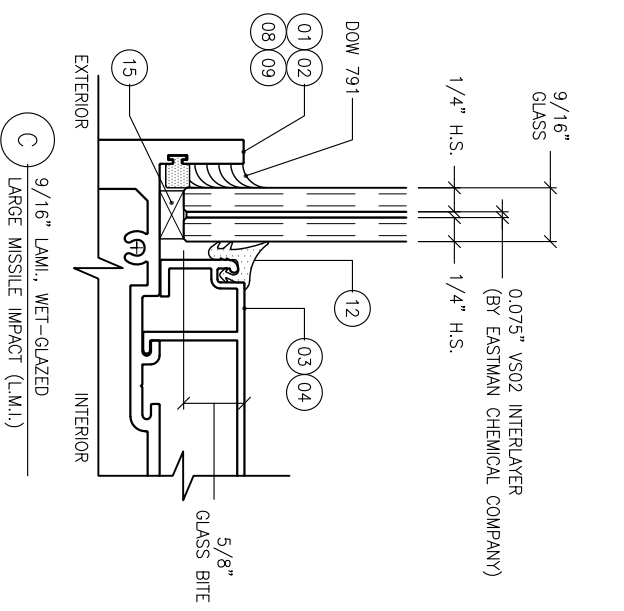
PRODUCT CONTROL APPROVAL:

DRAWN: L.M.	DRAWING No.:
DATE: 11-20-23	1 OF 8
DWG: 2501-23	

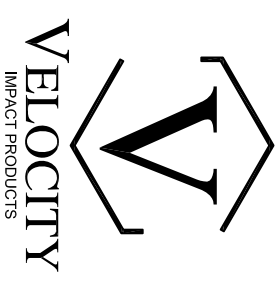


ALTERNATE UNIT SHAPE NOTES:

1. THESE ALTERNATE UNIT SHAPES, AS SHOWN, ARE FOR ILLUSTRATIVE REFERENCES.
2. ALTERNATE UNIT SHAPES SHALL BE VERIFIED BY PROJECTED WIDTH / HEIGHT AS REPRESENTED ON THIS SHEET.
3. SINGLE-LITE UNITS MAY BE INSTALLED ORIENTED VERTICALLY OR HORIZONTALLY.
4. REFER TO GLAZING CHARTS FOR GLASS LOAD CAPACITIES.
5. LIMIT MAXIMUM UNIT LOADS TO ±100.0 PSF.
6. FOR ALTERNATE SHAPES ANCHOR FRAMES 4" FROM ENDS & 12" C/C AROUND THE PERIMETER. SEE SHEET 6 FOR ANCHOR TYPES.



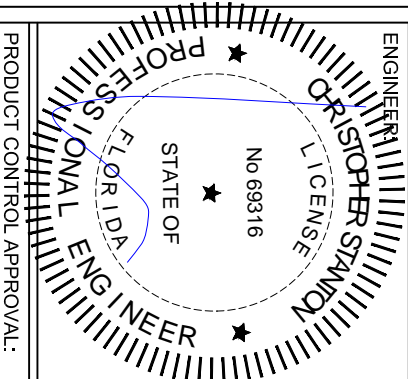
GLAZING OPTIONS



VELOCITY IMPACT PRODUCTS
 2200 AVENUE L, WEST PALM BEACH, FLORIDA, 33404
 TEL: (561) 429-5740 NET: www.VelocityImpactProducts.com

PRODUCT:
SERIES WWS 5000
 WINDOW WALL
 STOREFRONT SYSTEM
 PRODUCT APPROVAL
 FBC (2020): FL# [* T.B.D.J]

REV. DATE / REMARKS
 ENGINEER:
STANTON ENGINEERING, INC.
 STRUCTURAL ENGINEERING SERVICES
 2701 NW BOCA RATON BLVD. SUITE 204
 BOCA RATON, FL 33431 TEL: (561)
 393-1003 FAX: (561) 393-1008



PRODUCT CONTROL APPROVAL:

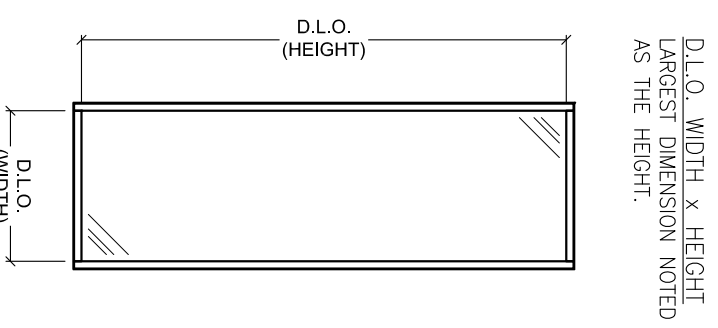
DRAWN: L.M. DRAWING No.:
 DATE: 11-20-23 2 OF 8
 DWG: 2501-23

CHART GL1 - GLASS LOAD CAPACITY (PSF)

D.L.O. WIDTH	D.L.O. HEIGHT	WITH OR WITHOUT INTERMEDIATE HORIZONTAL					
		TYPE A: 9/16" LAMINATED		TYPE B: 1-5/16" LAM. I.G.U.		TYPE C: 9/16" LAMINATED	
		INT. (-)	EXT. (+)	INT. (-)	EXT. (+)	INT. (-)	EXT. (+)
24"	78"	-100	+100	-100	+100	-65	+59
30"		-100	+100	-100	+100	-65	+59
36"		-100	+100	-100	+100	-65	+59
42"		-100	+100	-100	+100	-65	+59
48"		-100	+100	-100	+100	-65	+59
54"	84"	-100	+100	-100	+100	-65	+59
60"		-100	+100	-100	+100	-65	+59
66"		-100	+100	-100	+100	-65	+59
72"		-100	+100	-100	+100	-65	+59
78"		-100	+100	-100	+100	-65	+59
84"	90"	-100	+100	-100	+100	-65	+59
90"		-100	+100	-100	+100	-65	+59
96"		-100	+100	-100	+100	-65	+59
102"		-100	+100	-100	+100	-65	+59
108"		-100	+100	-100	+100	-65	+59

CHART GL1 - GLASS LOAD CAPACITY (PSF)

D.L.O. WIDTH	D.L.O. HEIGHT	WITH OR WITHOUT INTERMEDIATE HORIZONTAL					
		TYPE A: 9/16" LAMINATED		TYPE B: 1-5/16" LAM. I.G.U.		TYPE C: 9/16" LAMINATED	
		INT. (-)	EXT. (+)	INT. (-)	EXT. (+)	INT. (-)	EXT. (+)
24"	108"	-	-	-	-	-65	+59
30"		-	-	-	-	-65	+59
36"		-	-	-	-	-65	+59
42"		-	-	-	-	-65	+59
48"		-	-	-	-	-65	+59
54"	114"	-	-	-	-	-65	+59
60"		-	-	-	-	-65	+59
66"		-	-	-	-	-65	+59
72"		-	-	-	-	-65	+59
78"		-	-	-	-	-65	+59
84"	115.75"	-	-	-	-	-65	+59
90"		-	-	-	-	-65	+59
96"		-	-	-	-	-65	+59
102"		-	-	-	-	-65	+59
108"		-	-	-	-	-65	+59



NOTES:
GLASS CAPACITIES ON THIS SHEET ARE BASED ON PRODUCT TESTING AND MEET THE REQUIREMENTS OF ASTM E1300 (3 SEC. GUSTS)

TESTED GLASS SIZE: 60" X 91-3/4" = 38.2 SQ. FT.

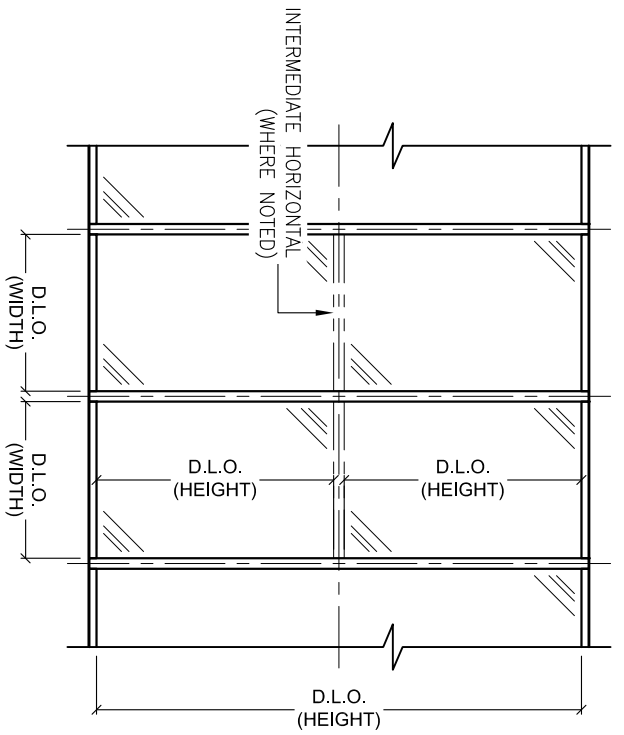
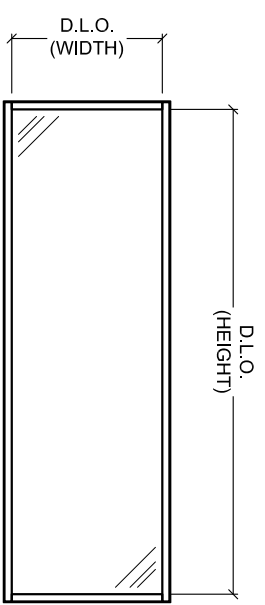
GLASS TYPE 'A' & 'B'

TESTED GLASS SIZE: 57" X 115-3/4" = 45.8 SQ. FT.

GLASS TYPE 'C'

FRAMES CAN BE ORIENTED HORIZONTALLY OR VERTICALLY

ROTATED D.L.O. WIDTH x HEIGHT LARGEST DIMENSION NOTED AS THE HEIGHT, CORRESPONDS TO GLASS LOAD CHART.



VELOCITY
IMPACT PRODUCTS

VELOCITY IMPACT PRODUCTS
2200 AVENUE L, WEST PALM BEACH, FLORIDA, 33404
TEL: (561) 429-5740 NET: www.VelocityImpactProducts.com

PRODUCT: **SERIES WWS 5000**
WINDOW WALL
STOREFRONT SYSTEM
PRODUCT APPROVAL
FBC (2020): FL# [* T.B.D.]

REV. DATE / REMARKS

ENGINEER:
STANTON ENGINEERING, INC.
STRUCTURAL ENGINEERING SERVICES

2701 NW BOCA RATON BLVD. SUITE 204
BOCA RATON, FL 33431 TEL: (561)
393-1003 FAX: (561) 393-1008

ENGINEER: **CRISTOPHER STANTON**
No 693316
STATE OF FLORIDA
PROFESSIONAL ENGINEER
PRODUCT CONTROL APPROVAL:

DRAWN: L.M.
DATE: 11-20-23
DWG: 2501-23

DRAWING No: **3 OF 8**

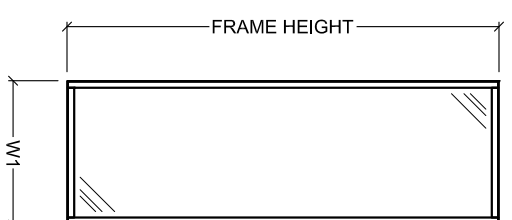
STEP 2 : **GLASS LOAD TABLE**

CHART JM1.1 – JAMB/MULLION LOAD CAPACITY (PSF)

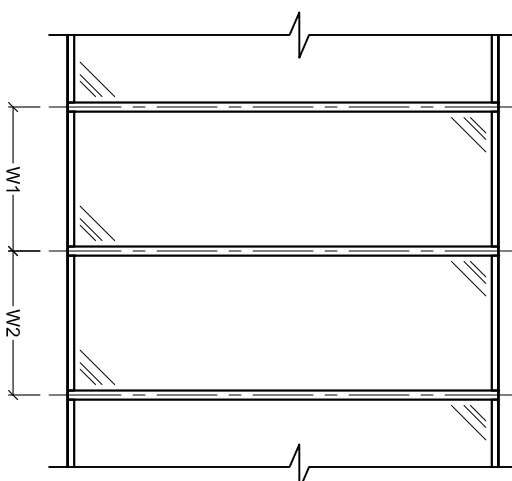
NOMINAL FRAME WIDTH	NOMINAL FRAME HEIGHT	WITH OR WITHOUT INTERMEDIATE HORIZONTAL			
		"J"		"M"	
		INT. (-)	EXT. (+)	INT. (-)	EXT. (+)
24"	78"	-100	+100	-100	+100
30"		-100	+100	-100	+100
36"		-100	+100	-100	+100
42"		-100	+100	-100	+100
48"	84"	-100	+100	-100	+100
54"		-100	+100	-100	+100
60"		-100	+100	-100	+100
66"		-100	+100	-100	+100
72"	90"	-100	+100	-100	+100
24"		-100	+100	-100	+100
30"		-100	+100	-100	+100
36"		-100	+100	-100	+100
42"	96"	-100	+100	-100	+100
48"		-100	+100	-100	+100
54"		-100	+100	-100	+100
60"		-100	+100	-100	+100
63"	98"	-100	+100	-100	+100
65"		-100	+100	-100	+100
66"		-100	+100	-100	+100
72"		-100	+100	-100	+100
24"	102"	-65	+59	-65	+59
30"		-65	+59	-65	+59
36"		-65	+59	-65	+59
42"		-65	+59	-65	+59
48"	108"	-65	+59	-65	+59
54"		-65	+59	-65	+59
60"		-65	+59	-65	+59
66"		-65	+59	-65	+59

CHART JM1.1 – JAMB/MULLION LOAD CAPACITY (PSF)

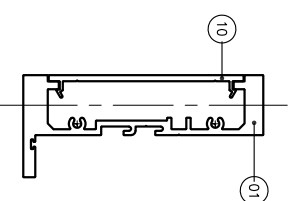
NOMINAL FRAME WIDTH	NOMINAL FRAME HEIGHT	WITH OR WITHOUT INTERMEDIATE HORIZONTAL			
		"J"		"M"	
		INT. (-)	EXT. (+)	INT. (-)	EXT. (+)
24"	114"	-65	+59	-65	+59
30"		-65	+59	-65	+59
36"		-65	+59	-65	+59
42"		-65	+59	-65	+59
48"	120"	-65	+59	-65	+59
54"		-65	+59	-65	+59
60"		-65	+59	-65	+59
63"		-65	+59	-65	+59
24"	120"	-65	+59	-65	+59
30"		-65	+59	-65	+59
36"		-65	+59	-65	+59
42"		-65	+59	-65	+59
48"	120"	-65	+59	-65	+59
54"		-65	+59	-65	+59
60"		-65	+59	-65	+59
66"		-65	+59	-65	+59



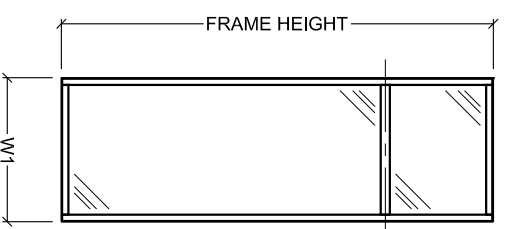
WIDTH (W) = $\frac{W1 + W2}{2}$



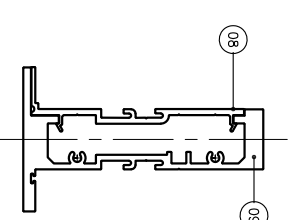
WIDTH (W) = $\frac{W1 + W2}{2}$



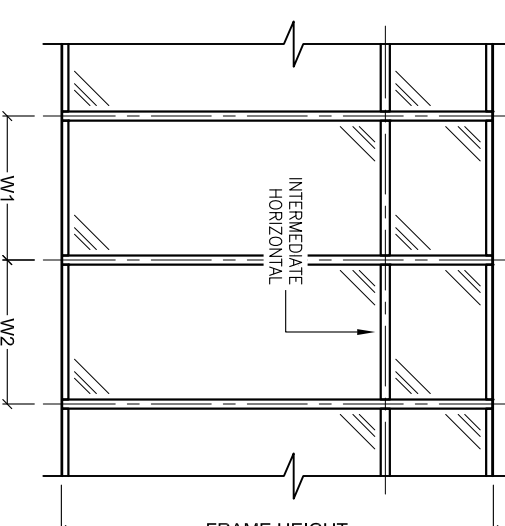
JAMB (J1)		
PART	K(IN^4)	Sx(IN^3)
VP-01/VP-09	8.948	3.151



WIDTH (W) = W1 (JAMB)



MULLION (M1)		
PART	K(IN^4)	Sx(IN^3)
VP-07/VP-08	9.911	3.383



WIDTH (W) = $\frac{W1 + W2}{2}$

FRAMES CAN BE ORIENTED HORIZONTALLY OR VERTICALLY

STEP 3 :

JAMB / MULLION LOAD CAPACITIES

VELOCITY
IMPACT PRODUCTS

VELOCITY IMPACT PRODUCTS
2200 AVENUE L, WEST PALM BEACH, FLORIDA, 33404
TEL: (561) 429-5740 NET: www.VelocityImpactProducts.com

PRODUCT:
SERIES WWS 5000
WINDOW WALL
STOREFRONT SYSTEM

PRODUCT APPROVAL
FBC (2020): FL# [* T.B.D.]

REV. DATE / REMARKS

ENGINEER:
STANTON ENGINEERING, INC.
STRUCTURAL ENGINEERING SERVICES

2701 NW BOCA RATON BLVD. SUITE 204
BOCA RATON, FL 33431 TEL: (561)
393-1003 FAX: (561) 393-1008

ENGINEER: **CHRISTOPHER STANTON**
LICENSE

PRODUCT CONTROL APPROVAL:

DRAWN: L.M. DRAWING No: **4 OF 8**

DATE: 11-20-23

DWG: 2501-23

CHART AL1 – ANCHOR LOAD CAPACITY, (PSF)

NOMINAL FRAME WIDTH	NOMINAL FRAME HEIGHT	ANCHOR TYPE A INT. (-) / EXT. (+)		ANCHOR TYPE B INT. (-) / EXT. (+)			ANCHOR TYPE C INT. (-) / EXT. (+)		
		A2	A3	B2	B3	C2	C3		
24"	78"	100	100	100	100	100	100	100	
		100	100	100	100	100	100		
		100	100	100	100	100	100		
30"	78"	100	100	100	100	100	100	100	
		100	100	100	100	100	100		
		100	100	100	100	100	100		
36"	78"	100	100	100	100	100	100	100	
		100	100	100	100	100	100		
		100	100	100	100	100	100		
42"	78"	100	100	100	100	100	100	100	
		100	100	100	100	100	100		
		100	100	100	100	100	100		
48"	78"	88.3	100	100	100	100	100	100	
		78.5	100	100	100	100	100		
		70.6	100	100	100	98.0	100		
60"	78"	64.2	96.3	91.7	100	89.1	100	100	
		58.9	88.3	84.1	100	81.6	100		
		54.7	82.0	78.1	100	75.8	100		
24"	90"	100	100	100	100	100	100	100	
		100	100	100	100	100	100		
		100	100	100	100	100	100		
30"	90"	100	100	100	100	100	100	100	
		100	100	100	100	100	100		
		100	100	100	100	100	100		
36"	90"	100	100	100	100	100	100	100	
		100	100	100	100	100	100		
		100	100	100	100	100	100		
42"	90"	87.5	100	100	100	100	100	100	
		76.5	100	100	100	100	100		
		68	100	97.2	100	94.3	100		
54"	90"	61.2	91.8	87.5	100	84.9	100	100	
		55.7	83.5	79.5	100	77.2	100		
		51	76.5	72.9	100	70.8	100		
24"	96"	100	100	100	100	100	100	100	
		100	100	100	100	100	100		
		100	100	100	100	100	100		
30"	96"	95.7	100	100	100	100	100	100	
		82	100	100	100	100	100		
		71.8	100	100	100	99.5	100		
42"	96"	80.3	100	100	100	100	100	100	
		70.3	100	100	100	97.5	100		
		62.5	93.7	89.3	100	86.6	100		
54"	96"	56.2	84.3	80.3	100	78.0	100	100	
		51.1	76.7	73	100	70.9	100		
		46.9	70.3	66.9	100	65	97.5		
24"	102"	100	100	100	100	100	100	100	
		100	100	100	100	100	100		
		100	100	100	100	100	100		
30"	102"	90	100	100	100	100	100	100	
		77.2	100	100	100	100	100		
		67.5	100	96.5	100	93.6	100		
42"	102"	60	90	85.8	100	83.2	100	100	
		54	81	77.2	100	74.9	100		
		49.1	73.7	70.2	100	68.1	100		
60"	102"	46.3	69.5	66.2	99.2	64.2	96.3	100	
		100	100	100	100	100	100		
		100	100	100	100	100	100		
30"	108"	100	100	100	100	100	100	100	
		85	100	100	100	100	100		
		72.9	100	100	100	100	100		
42"	108"	63.8	95.7	91.1	100	88.4	100	100	
		56.7	85	81	100	78.6	100		
		51	76.5	72.9	100	70.8	100		
60"	108"	46.4	69.6	66.3	99.4	64.3	96.5	100	
		100	100	100	100	100	100		
		100	100	100	100	100	100		

CHART AL1 – ANCHOR LOAD CAPACITY, (PSF)

NOMINAL FRAME WIDTH	NOMINAL FRAME HEIGHT	ANCHOR TYPE A INT. (-) / EXT. (+)		ANCHOR TYPE B INT. (-) / EXT. (+)			ANCHOR TYPE C INT. (-) / EXT. (+)		
		A2	A3	B2	B3	C2	C3		
24"	114"	100	100	100	100	100	100	100	
		96.7	100	100	100	100	100		
		80.6	100	100	100	100	100		
30"	114"	69.1	100	98.6	100	95.8	100	100	
		60.4	90.6	86.3	100	83.8	100		
		53.7	80.6	76.7	100	74.5	100		
60"	114"	48.3	72.5	69.1	100	67	100	100	
		46	69.1	65.8	98.6	63.8	95.8		
		100	100	100	100	100	100		
24"	120"	91.8	100	100	100	100	100	100	
		76.5	100	100	100	100	100		
		65.6	98.4	93.7	100	91	100		
36"	120"	57.4	86.1	82	100	79.6	100	100	
		51	76.5	72.9	100	70.8	100		
		45.9	68.9	65.6	98.4	63.7	95.5		

ANCHOR TYPES:

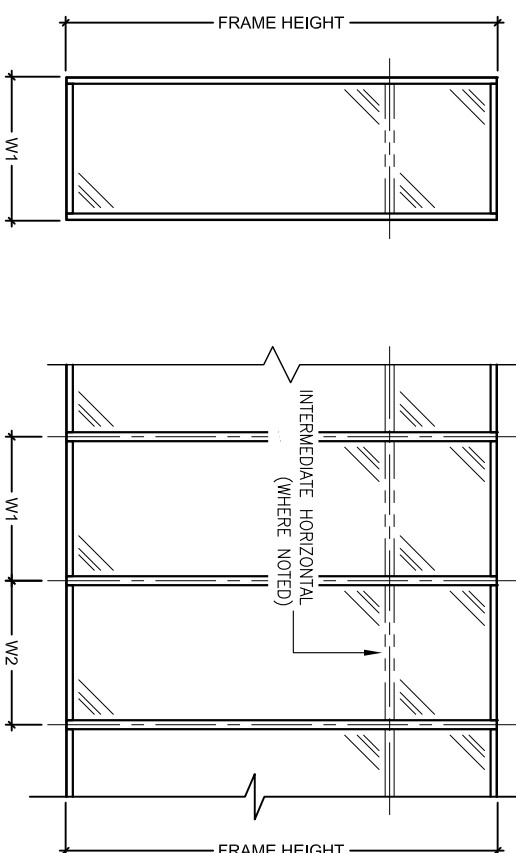
QUANTITIES AT EA. SIDE OF JAMB OR MULLION.
(SEE SHEET 6 FOR ANCHOR REQUIREMENTS.)

A2 = (2) TYPE A
B2 = (2) TYPE B
C2 = (2) TYPE C

A3 = (3) TYPE A
B3 = (3) TYPE B
C3 = (3) TYPE C

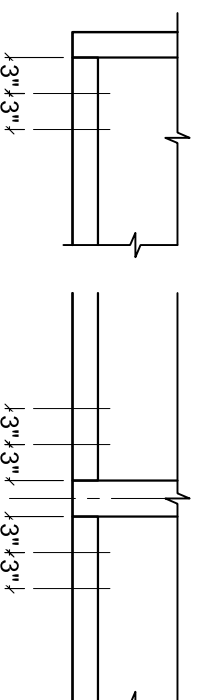
ANCHOR SPACING AT HEAD & SILL CONDITIONS
NOT TO EXCEED 24" O.C. MAX.

ALTERNATE ANCHOR TYPES WILL REQUIRE
PROJECT SPECIFIC ENGINEERING ANALYSIS.

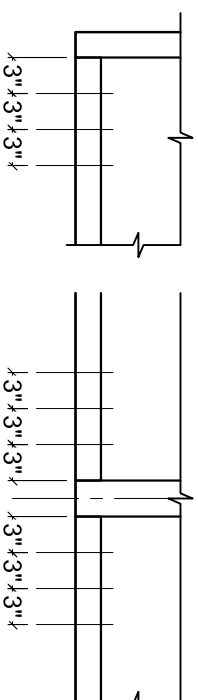


WIDTH (W) = W1 (JAMB)

WIDTH (W) = $\frac{W1 + W2}{2}$



ANCHOR TYPES/QTY: A2, B2 & C2



ANCHOR TYPES/QTY: A3, B3 & C3

STEP 4: ANCHOR LOAD CAPACITIES

VELOCITY
IMPACT PRODUCTS

VELOCITY IMPACT PRODUCTS
2200 AVENUE L, WEST PALM BEACH, FLORIDA, 33404
TEL: (561) 429-5740 NET: www.VelocityImpactProducts.com

PRODUCT:
SERIES WWS 5000
WINDOW WALL
STOREFRONT SYSTEM

PRODUCT APPROVAL
FBC (2020): FL# [T.B.D.]

REV.	DATE / REMARKS

ENGINEER:
STANTON ENGINEERING, INC.
STRUCTURAL ENGINEERING SERVICES

2701 NW BOCA RATON BLVD, SUITE 204
BOCA RATON, FL 33431 TEL: (561)
393-1003 FAX: (561) 393-1008

ENGINEER: **CHRISTOPHER STANTON**
L I C E N S E

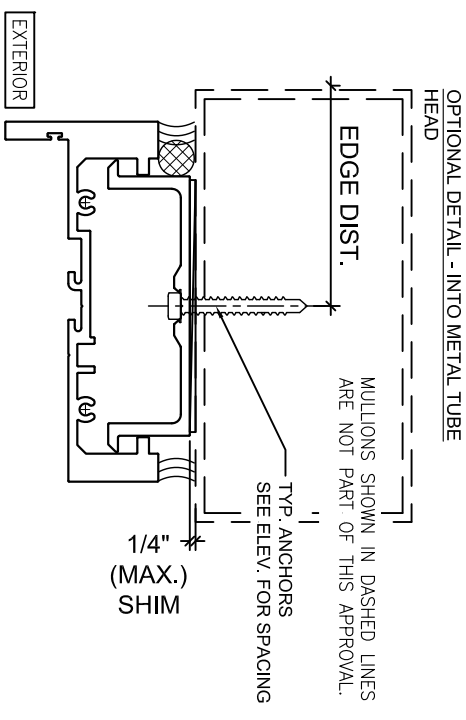
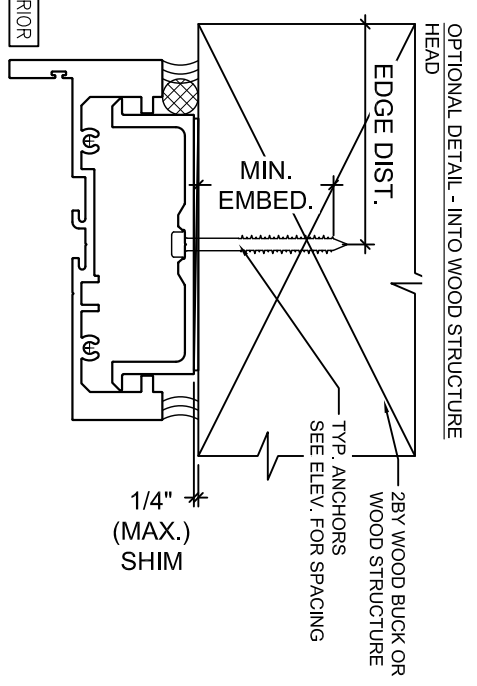
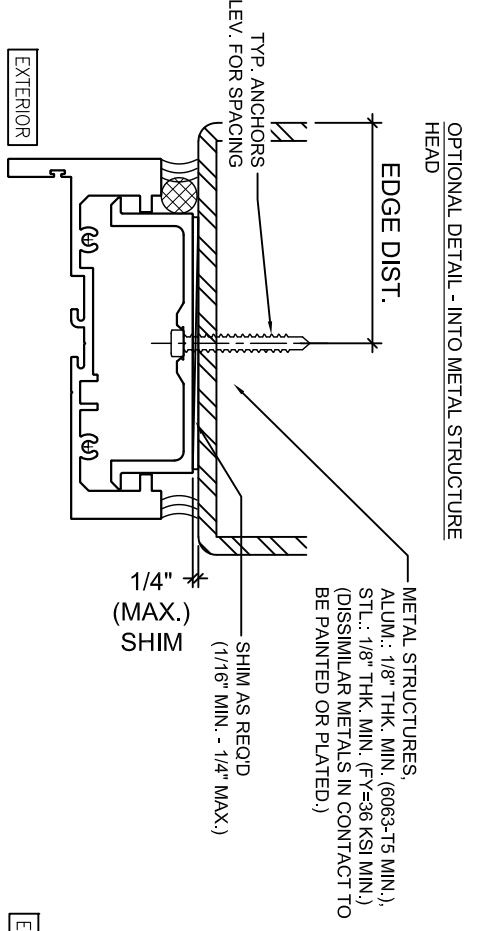
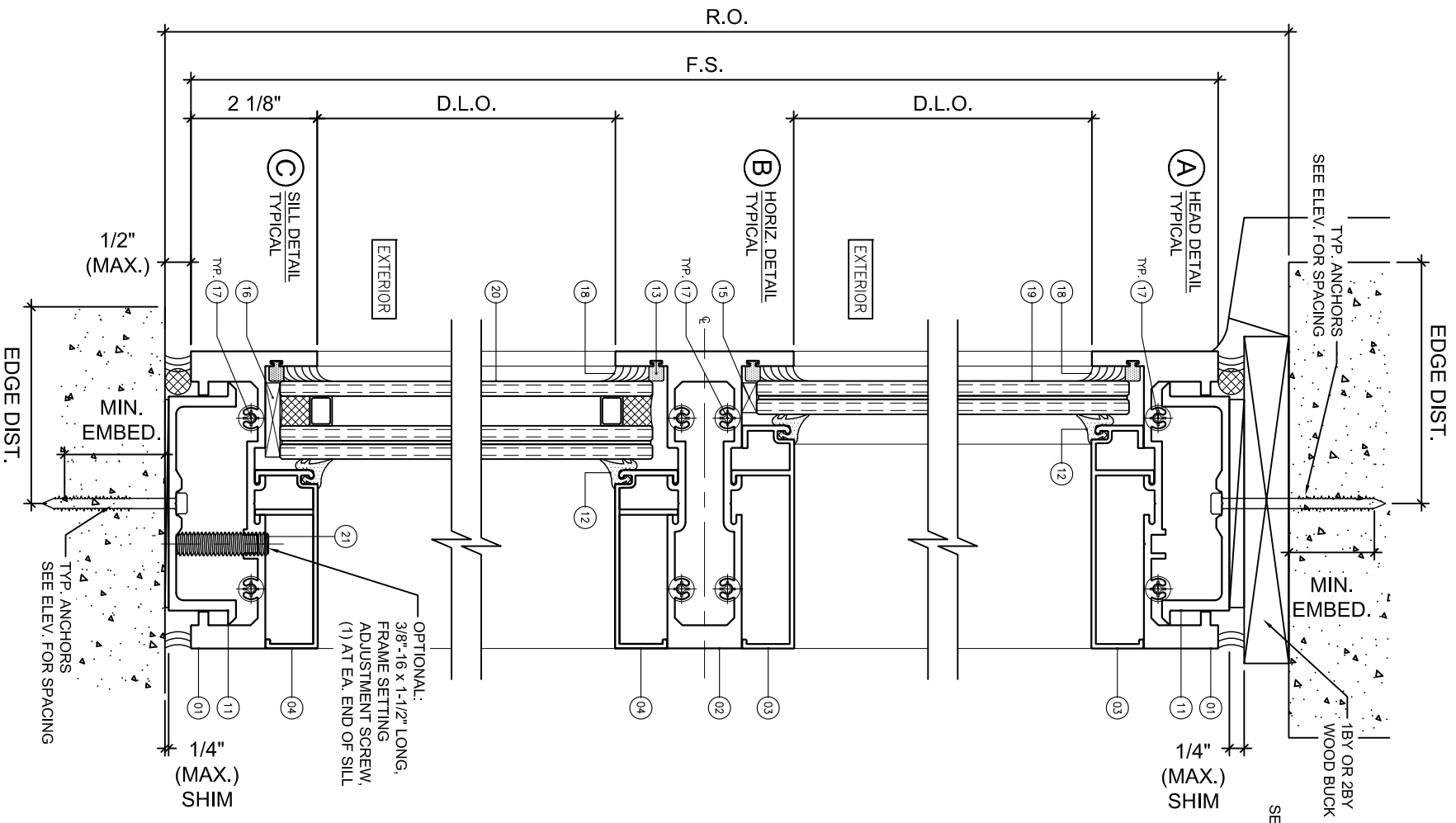
STATE OF FLORIDA
PROFESSIONAL ENGINEER

PRODUCT CONTROL APPROVAL:

DRAWN: L.M. DRAWING No: **5 OF 8**

DATE: 11-20-23

DWG: 2501-23



TYPICAL ANCHORS AT WINDOW WALL SYSTEM:
(* SEE ELEVATIONS FOR SPACING)

TYPE A: DIRECTLY INTO WOOD STRUCTURES
5/16" ULTRACON BY DEWALT

EMBEDMENT: 1-1/2" MIN.
EDGE DISTANCE: 1 - 9/16" MIN.

TYPE B: DIRECTLY INTO CONCRETE,
THRU 1BY & OR 2BY WOOD BUCK INTO CONCRETE
1/4" ULTRACON BY DEWALT

EMBEDMENT: 1-3/4" MIN.
EDGE DISTANCE: 2-1/2" MIN.

TYPE C: INTO METAL STRUCTURES
#14 TEKS SELF-DRILLING SCREWS; OR EQUIVALENT

ALUMINUM: 1/8" THK. MIN.
STEEL: 1/8" THK. MIN.
(DISSIMILAR METALS IN CONTACT TO BE PAINTED OR PLATED.)
METAL STUDS: (16 GA.) MIN.
EDGE DISTANCE: 3/4" MIN.

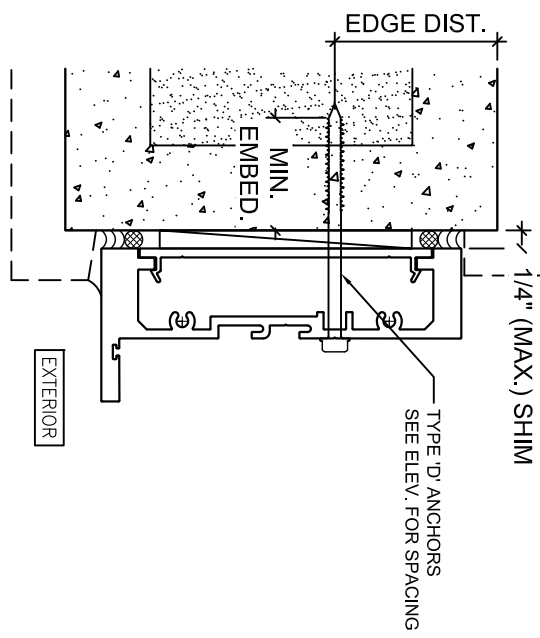
TYPE D: INTO GROUT FILLED OR HOLLOW BLOCK (JAMBS ONLY)
1/4" ULTRACON BY DEWALT
EMBEDMENT: 1-3/4" MIN.

CONCRETE AT HEAD, SILL OR JAMBS f'c = 3000 PSI MIN.
C-90 HOLLOW/FILLED BLOCKS AT JAMBS f'm = 2000 PSI MIN.

WOOD BUCKS AND METAL STRUCTURE NOT BY VELOCITY, MUST SUSTAIN LOADS IMPOSED BY GLAZING SYSTEM AND TRANSFER THEM TO THE BUILDING STRUCTURE.

ALTERNATE ANCHOR TYPES WILL REQUIRE PROJECT SPECIFIC ENGINEERING ANALYSIS.

OPTIONAL DETAIL - INTO GROUT FILLED OR HOLLOW BLOCKS



ANCHOR REQUIREMENTS

VELOCITY
IMPACT PRODUCTS

VELOCITY IMPACT PRODUCTS
2200 AVENUE L, WEST PALM BEACH, FLORIDA, 33404
TEL: (561) 428-5740 NET: www.VelocityImpactProducts.com

PRODUCT:
SERIES WWS 5000
WINDOW WALL
STOREFRONT SYSTEM
PRODUCT APPROVAL
FBC (2020): FL# [* T.B.D.]

REV. DATE / REMARKS

ENGINEER:
STANTON ENGINEERING, INC.
STRUCTURAL ENGINEERING SERVICES

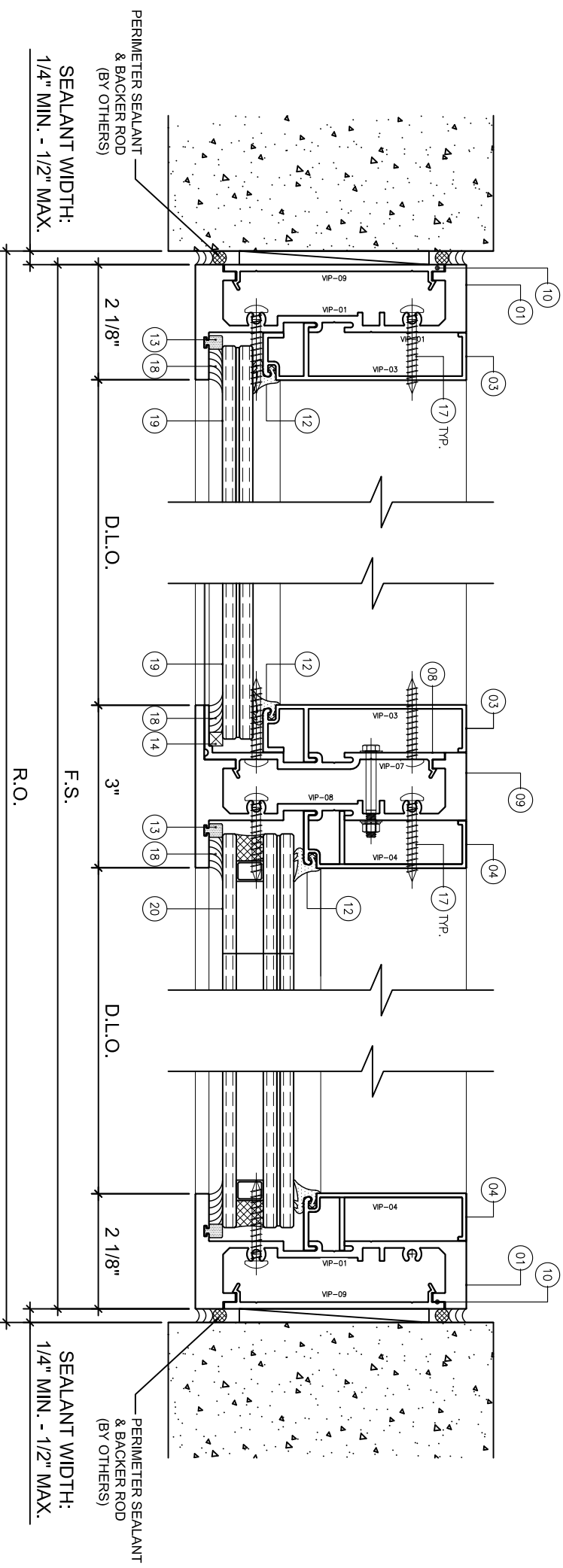
2701 NW BOCA RATON BLVD. SUITE 204
BOCA RATON, FL 33431 TEL: (561)
393-1003 FAX: (561) 393-1008

ENGINEER
CHRISTOPHER STANTON
LICENSE
No 69316
STATE OF
FLORIDA
PROFESSIONAL ENGINEER

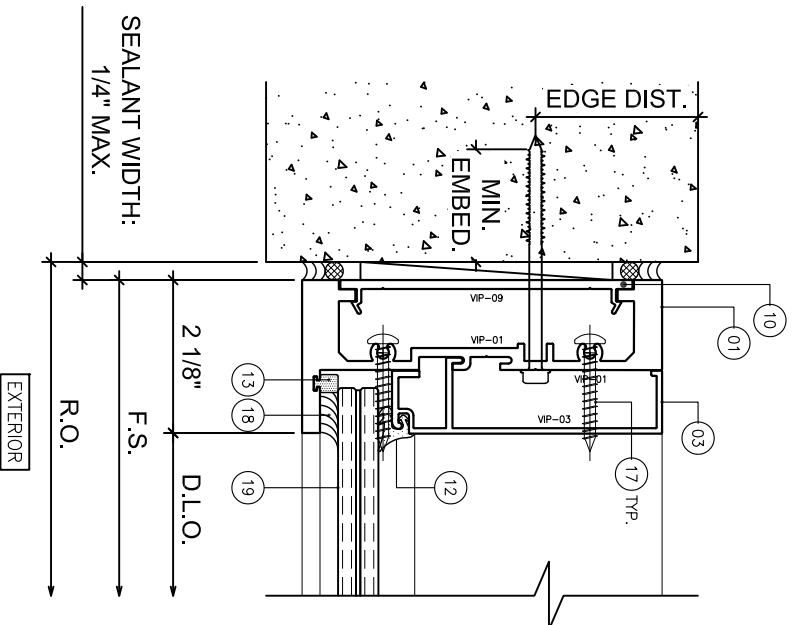
PRODUCT CONTROL APPROVAL:

DRAWN: L.M. DRAWING No: **6 OF 8**
DATE: 11-20-23
DWG: 2501-23

D JAMB DETAIL
TYPICAL



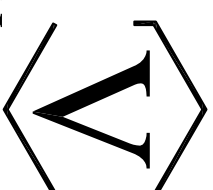
E MULLION DETAIL
TYPICAL



D1 ANCHORED JAMB DETAIL

NOTES:

ALTERNATE SEALANTS AT JAMB GAPS CAN BE DESIGNED BY ENGINEER OF RECORD BASED ON MANUFACTURER DATA.
SEALANT WIDTH ALLOWANCES BASED ON SEALANT JOINT MOVEMENT CAPABILITY OF +100%.



VELOCITY
IMPACT PRODUCTS

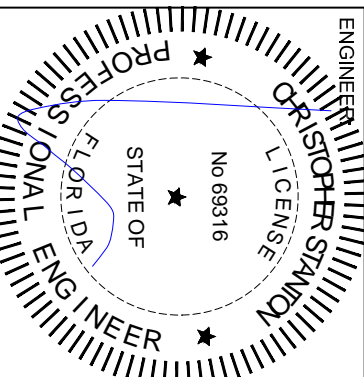
VELOCITY IMPACT PRODUCTS
2200 AVENUE L, WEST PALM BEACH, FLORIDA, 33404
TEL: (561) 429-5740 NET: www.VelocityImpactProducts.com

PRODUCT:
SERIES WWS 5000
WINDOW WALL
STOREFRONT SYSTEM
PRODUCT APPROVAL
FBC (2020): FL# [* T.B.D.J]

REV. DATE / REMARKS

ENGINEER:
STANTON ENGINEERING, INC.
STRUCTURAL ENGINEERING SERVICES

2701 NW BOCA RATON BLVD. SUITE 204
BOCA RATON, FL 33431 TEL: (561)
393-1003 FAX: (561) 393-1008

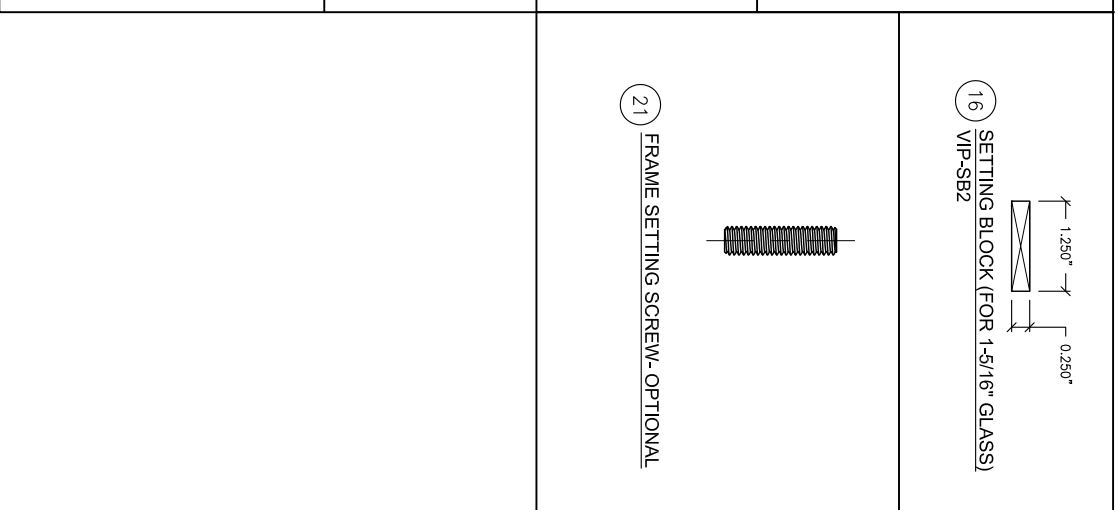
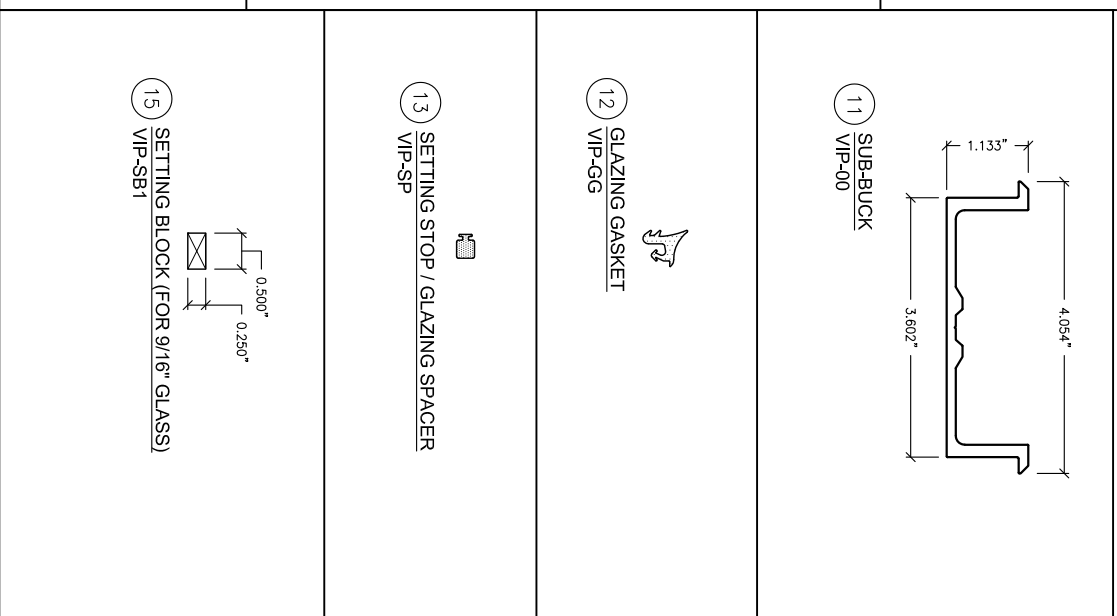
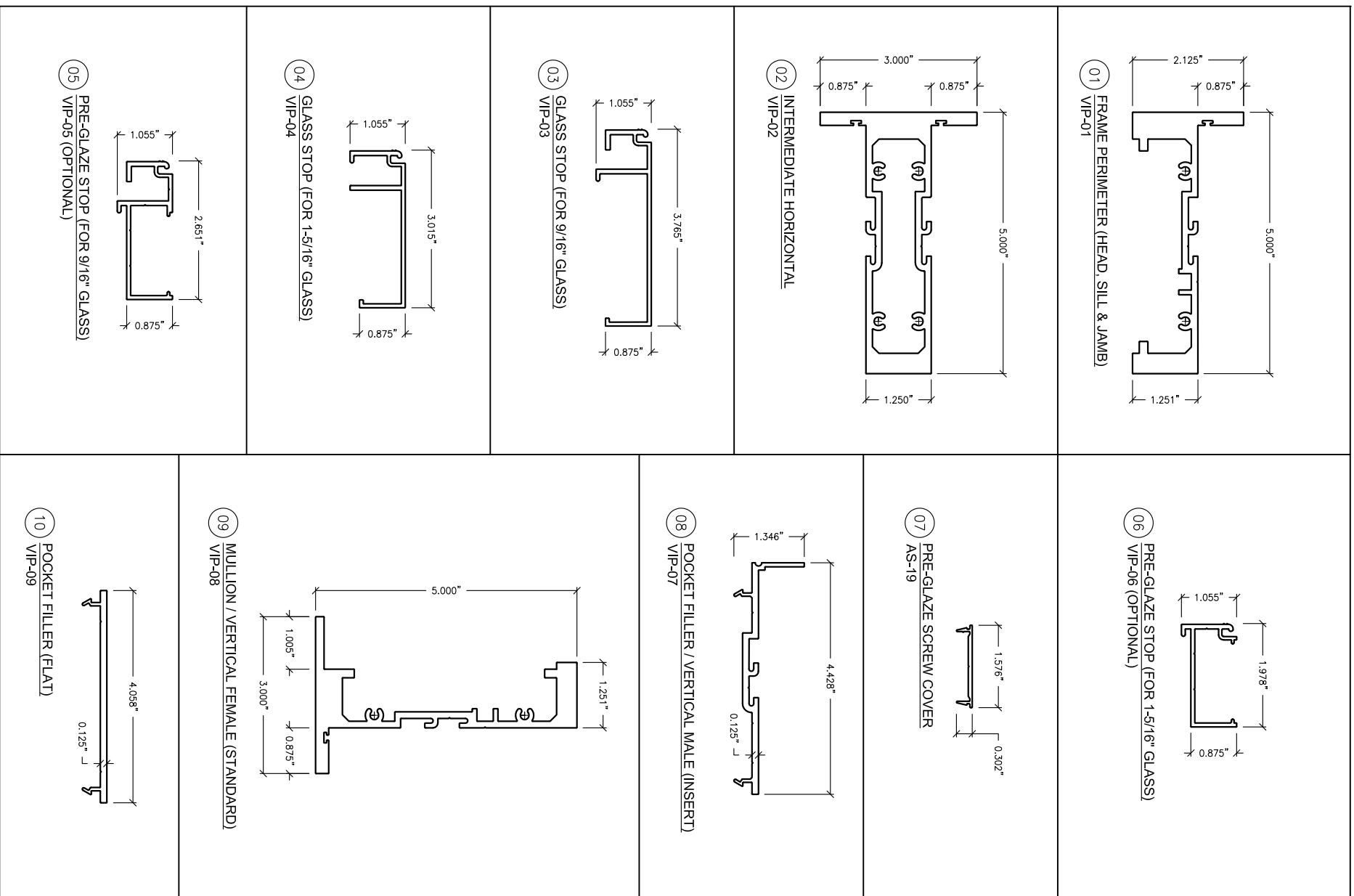


PRODUCT CONTROL APPROVAL:

DRAWN: L.M. DRAWING No.: 7 OF 8
DATE: 11-20-23
DWG: 2501-23

BILL OF MATERIALS

ITEM NO.	PART NO.	DESCRIPTION	MANUF./SUPPLIER	MATERIAL
01	VIP-01	FRAME PERIMETER (HEAD, SILL & JAMB)	KENMARK	6063-T6
02	VIP-02	INTERMEDIATE HORIZONTAL	KENMARK	6063-T6
03	VIP-03	GLASS STOP, FOR 9/16" GLASS	KENMARK	6063-T6
04	VIP-04	GLASS STOP, FOR 1-5/16" GLASS	KENMARK	6063-T6
05	VIP-05	PRE-GLAZE STOP, FOR 9/16" GLASS	KENMARK	6063-T6
06	VIP-06	PRE-GLAZE STOP, FOR 1-5/16" GLASS	KENMARK	6063-T6
07	AS-19	PRE-GLAZE SCREW COVER	KENMARK	6063-T6
08	VIP-07	VERTICAL, (MALE)	KENMARK	6063-T6
09	VIP-08	VERTICAL, (FEMALE)	KENMARK	6063-T6
10	VIP-09	FLAT FILLER	KENMARK	6063-T6
11	VIP-00	SUB-BUCK	KENMARK	6005A-T6
12	VIP-0G	GLAZING GASKET	VARIES	EPDM/SHORE 60 (F5)
13	VIP-SP	GLAZING SPACER	VARIES	SILICONE/EPDM
14	V2100	GLAZING SPACER	NORTON	FOAM TAPE
15	VIP-SB1	SETTING BLOCK, FOR 9/16" GLASS	VARIES	EPDM/SHORE 60 (F5)
16	VIP-SB2	SETTING BLOCK, FOR 1-5/16" GLASS	VARIES	EPDM/SHORE 60 (F5)
17	-	#12 X 1-1/4" HWH ASSEMBLY SCREW	VARIES	SST
18	791	STRUCTURAL SEALANT	DOW CORNING	SILICONE
19	916 GLASS	1/4" CLEAR, H.S.; 0.090" SGP; 1/4" CLEAR, H.S.	VARIES	GLASS
20	1516 GLASS	1/4" CLEAR, F.T.; 1/2" AS; 1/4" CLEAR, H.S.; 0.090" SGP; 1/4" CLEAR, H.S.	VARIES	GLASS
21	-	3/8"-16 X 1-1/2" LONG SCREW	VARIES	SST



PARTS LIST

VELOCITY
IMPACT PRODUCTS

VELOCITY IMPACT PRODUCTS
2200 AVENUE L, WEST PALM BEACH, FLORIDA, 33404
TEL: (561) 428-5740 NET: www.VelocityImpactProducts.com

PRODUCT:
SERIES WWS 5000
 WINDOW WALL
 STOREFRONT SYSTEM
 PRODUCT APPROVAL
 FBC (2020): FL# [* T.B.D.J]

REV. DATE / REMARKS

ENGINEER:
 STANTON ENGINEERING, INC.
 STRUCTURAL ENGINEERING SERVICES

2701 NW BOCA RATON BLVD. SUITE 204
 BOCA RATON, FL 33431 TEL: (561)
 393-1003 FAX: (561) 393-1008

ENGINEER
CHRISTOPHER STANTON
 LICENSE
 No. 69316
 STATE OF
 FLORIDA
 PROFESSIONAL ENGINEER

PRODUCT CONTROL APPROVAL:

DRAWN: L.M. DRAWING No: **8 OF 8**
 DATE: 11-20-23
 DWG: 2501-23